

## NIFE CYNF Series

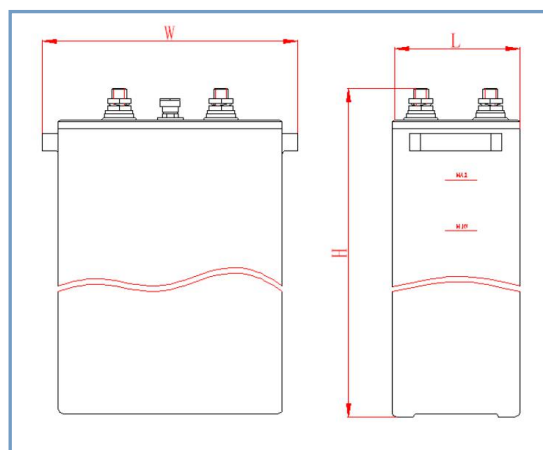
CIYI NIFE CYNF series low rate NIFE batteries are made of pocket plate with the characteristics of thin plate, high porosity and low internal resistance. nowadays, more and more countries and governments have paid special attentions on environmental protection and actively promoted the application of Green Energy.

## Applications

- PV Systems
- Telecommunication
- Lighting
- Wind Power Generation
- UPS Back up Power Systems
- Railway Rolling Stocks

## Advantages

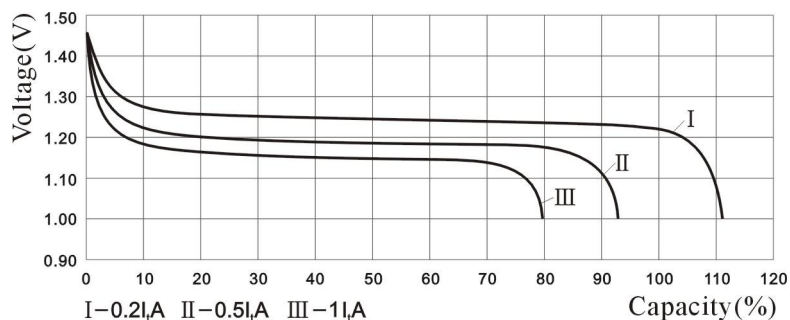
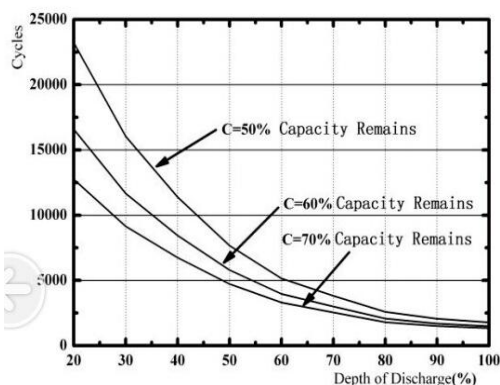
- Military Quality with Designed life up to 30-40years.
- Varta Technology and Equipment.
- Wide Working Temperature from -20°C to +60°C.
- Pocket Technology on the positive plate make the battery high strength, high expansion resistance.
- Slurry Technology on the negative plate make the battery light weight and better low temperature performance.
- 10CA high peak discharge current.



## Technical Data

Battery Model	CYNF300			
Voltage	1.2V			
Capacity	300AH			
Designed Life	30-40 Years (Floating)			
Housing Material	PP/ABS			
Capacity(25°C)	5HR (60A 1.0V)		300A	
Dimensions	Length	Width	Height	
	138mm	276mm	420mm	
Structure	Terminal Size	Terminal Quantity	Connection Torque	
	M13×1	⊕2/⊖2	30±3N.m	
Approximate Weight	Dry Weight		14.5Kg	
	Wet Weight		20.5Kg	
Type of Electrolyte	E3(1.2g/cm <sup>3</sup> KOH + 20g/L LiOH·H <sub>2</sub> O)			
Volume of Electrolyte	5L			
Internal Resistance	Full charged at 25°C: 067mΩ to 0.83mΩ			
Capacity Affected by Temp.(5HR)	40°C	20°C	0°C	20°C
	95%	100%	85%	50%
Dual-voltage charging voltage and current setting (25°C):	Equalizing		Floating	
	1.60V~1.75V /Cell with Initial charging current less than 60A		1.48V~1.50V/Cell with Initial charging current less than 60A	
Max Discharging Current	3000A			
Operating Temperature	charging	-20°C to 60°C		discharge
				-40°C to 60°C

## Service Life Drawing & Discharging Curves



## Discharge Performance

Performance after prolonged float charge of fully charged cells available current at  $20 \pm 5^\circ\text{C}$

End off voltage V/cell	Hours							Minutes						Seconds		
	10	8	5	3	2	1.5	1	30	20	15	10	5	1	30	5	1
1.00	31.5	38.6	60.0	97.0	133	158	195	241	271	290	316	360	458	494	563	581
1.05	30.9	37.4	59.4	86.0	115	137	162	201	220	242	261	299	379	408	457	477
1.10	29.7	35.1	51.3	76.4	102	117	135	161	181	192	206	242	308	328	389	396
1.14	28.8	33.5	45.1	67.2	82.9	94.9	107	128	140	147	162	186	243	263	288	293

Performance after charging the battery for 8 hrs with 0.2ItA at  $20 \pm 5^\circ\text{C}$

End off voltage V/cell	Hours							Minutes						Seconds		
	10	8	5	3	2	1.5	1	30	20	15	10	5	1	30	5	1
1.00	31.5	38.6	60.0	97.0	140	176	224	290	331	358	395	450	580	625	713	735
1.05	30.9	37.4	59.4	94.5	134	163	200	258	286	318	344	398	512	552	618	644
1.10	30.6	36.9	57	92	127	150	177	220	248	266	290	345	440	468	555	565
1.14	30.3	36	56.4	88.4	112	130	150	188	206	220	246	286	374	404	443	450



Copyright © 2008 ZhuHai CIYI Battery Co.,Ltd